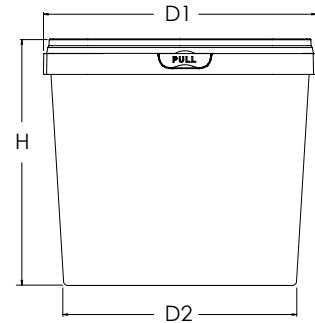




FA8.6LT
Bucket technical characteristics

Dimensions

D1: 273.12 mm
D2: 226 mm
H: 215 mm *without the lid*
Deviation ± 1mm



Other elements

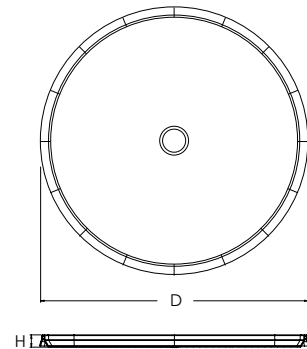
Capacity (LT)	Volume to rim 8.740 LT	Brim full volume 9.396 LT
Net weight / Deviation (±2.5%)	250 gr	
Handle	Plastic	Weight 19.5 gr
	Metallic	Weight 43 gr
Buckets packaging	Pallet 1.000 pcs or 660 pcs	
Decoration	IML Label 811,45X280,37 mm	Dry Offset 740X195 mm
Packaging	4 Vertically	



Lid technical characteristics
FA8.6LT

Dimensions

D: 269.59 mm
H: 13.8 mm
Deviation ± 1mm



Other elements

Lid weight (gr) Deviation (±2.5%)	77 gr	
Lid packaging	Pallet 2.000 pcs	
Decoration	Dry Offset Ø 156mm	

USEFUL STORAGE INFORMATION: To preserve the quality of this product, it is recommended that it be stored in its original packaging, away from any source of local heat and moisture, away from direct sunlight (below 30°C) and dry conditions. It is recommended that the product be allowed to reach operating temperature 24 hours before use.

RAW MATERIAL: Polypropylene (PP)



ISO 22000/ISO 9001/FSSC 22000

